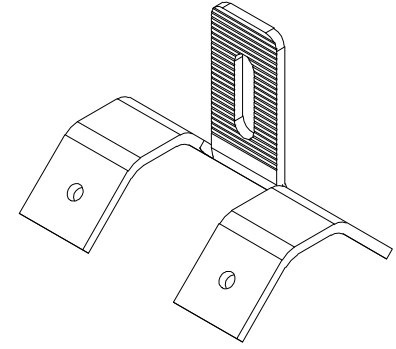
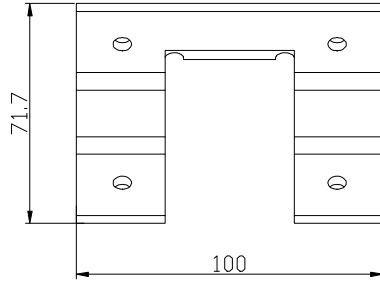
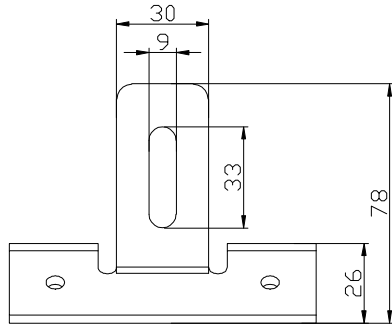
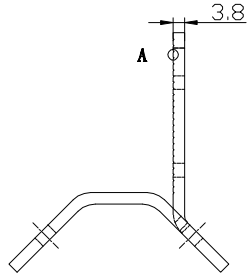
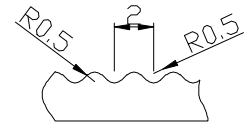


WORKING COPY  
THROWN AWAY AFTER USE



3D示意图



局部视图 A  
比例 8:1

This document is Universe Solar and shall not without Universe Solar written permission be copied, imparted to third party or used for any unauthorized purpose.



B	No	Changes and/or note no.-nr	Date	Change By

Scale N.S.T	Drawn by	Project UI-SS-01	Weight kg	Volume l
Date 2012-05-03	App by	Code	Sheet 1 of 1	
Universe Solar Technology Co.,Ltd.		Draw. no.	Rev. A	