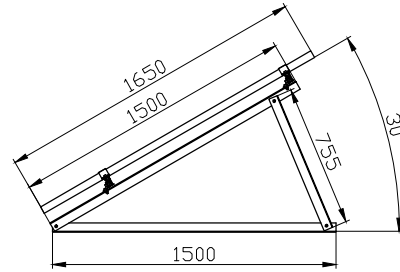
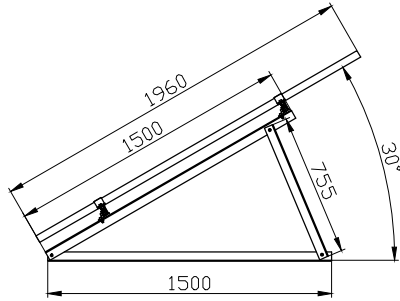


WORKING COPY  
 THROWN AWAY AFTER USE



This document is Universe Solar and shall not without Universe Solar written permission be copied, imparted to third party or used for any unauthorized purpose.

B	No	Changes and/or note no.-nr	Date	Change By

Scale	Drawn by	Project	Weight	kg	Volume	l
N.S.T	Chris	Triangle Mounting for 30 degrees				
Date	App by	Module Size: 1960/1650*9992*35 mm / PCS / SET	Code		Sheet	of
2019-04-25		Wind Load: 35 km/h Snow Load: / cm	Draw. no.			Rev.
	Universe Solar Technology Co.,Ltd.		UI-190425-001			